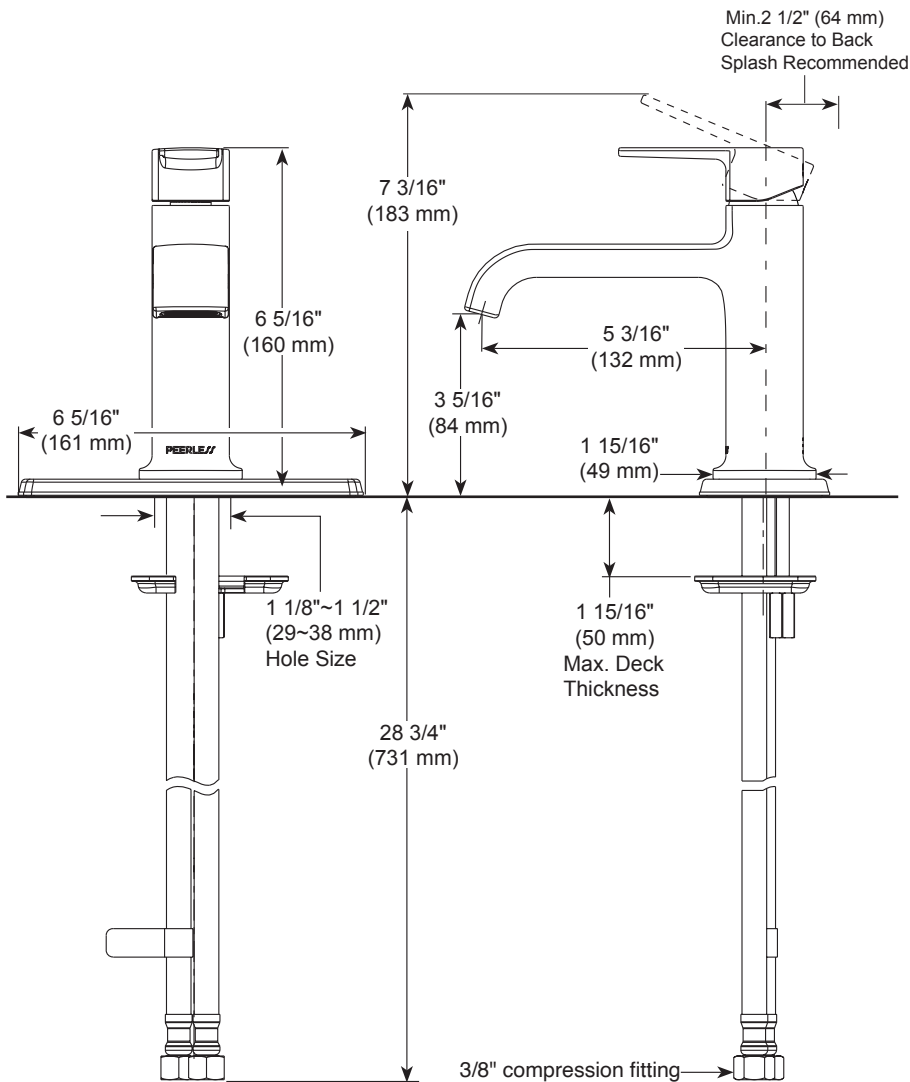
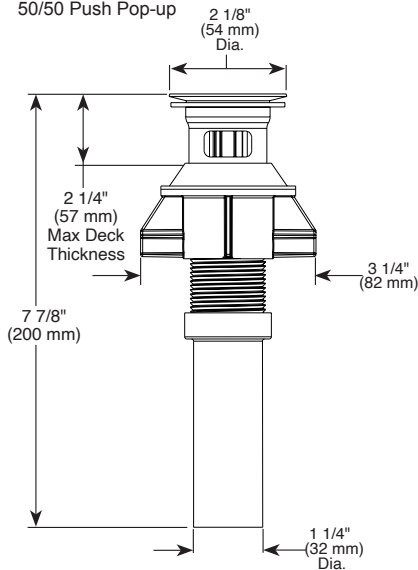


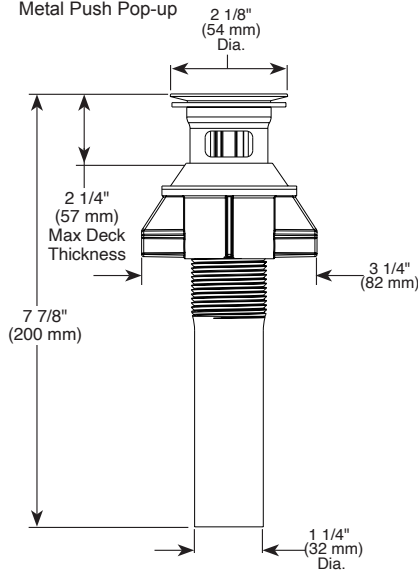
PEERLESS®



RP103419▲
50/50 Push Pop-up



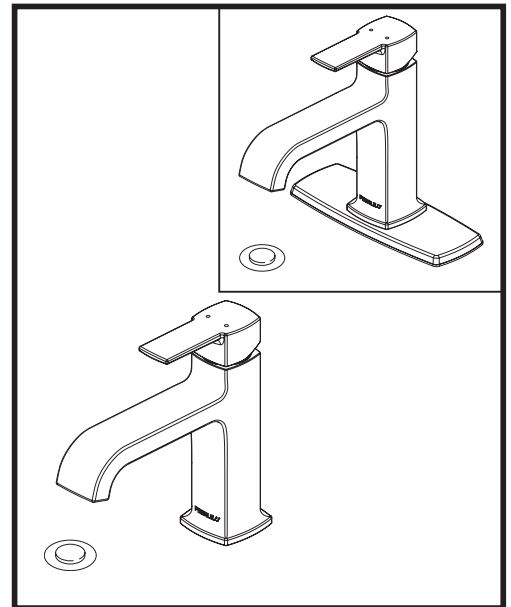
RP103420▲
Metal Push Pop-up



▲ Designate proper finish suffix

PSP-L-P1573LF Rev. A

P1573LF▲
P1573LF▲-M
P1573LF-M-0.5



BATHROOM FAUCET

- Ezra™ Collection
- Single Handle Deck Mount
- 1 or 3 Hole Sink Applications

STANDARD SPECIFICATIONS:

- Maximum 1.0 gpm @ 60 psi, 3.8 L/min @ 414 kPa (P1573LF▲ & P1573▲-M)
- Maximum 0.5 gpm @ 60 psi, 1.9 L/min @ 414 kPa (P1573LF-M-0.5)
- Solid metal casted body
- One or three hole mount (escutcheon optional, included)
- Ceramic cartridge
- Red/Blue indicator markings
- Polymer braided flexible supply hose with 3/8" compression fitting - 28 3/4" (731mm) long
- Models have 50/50 push pop-up
- Models with suffix "M" have metal push pop-up

WARRANTY:

- Parts and Finish - Lifetime limited warranty; or for commercial purchasers, 10 years for multi-family residential (apartments and condominiums) and 5 years for all other commercial uses, in each case from the date of purchase.



COMPLIES WITH:

- ASME A112.18.1 / CSA B125.1
- ASME A112.18.2 / CSA B125.2

♿ Indicates compliance to ICC / ANSI A117.1

- EPA WaterSense® - Applies to P1573LF▲ & P1573LF▲-M only